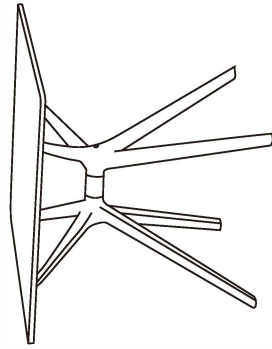


ASSEMBLY INSTRUCTION
552-CPP

sømcasa

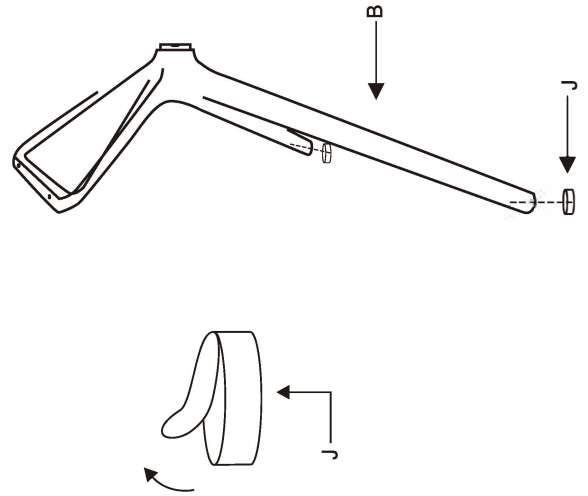


Component List:

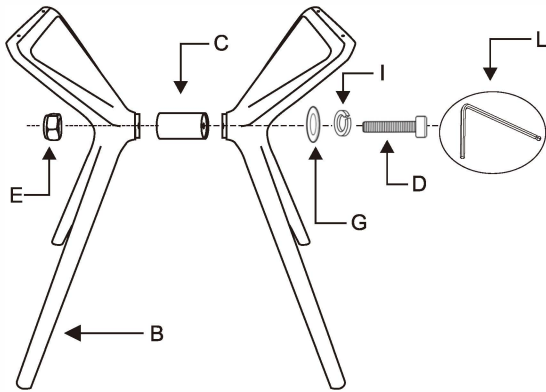
No.	Pictures	Quantity
B		2PCS
D		1PC
F		4PCS
H		4PCS
J		4PCS
L		1PC

No.	Pictures	Quantity
A		1PC
C		1PC
E		1PC
G		1PC
I		1PC
K		2PCS
M		1PC

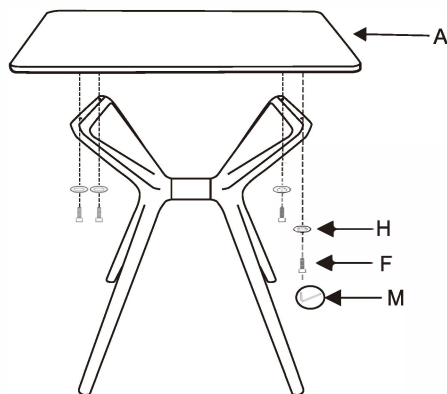
1st step To put on foot pads



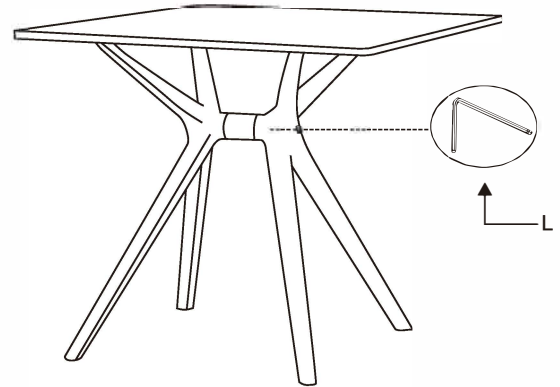
**2nd step To tighten the screws slightly
Do not tighten the screw completely**



**3rd step To tighten the screws between the
table top and table legs**



4th step To tighten the screw completely



5th step To put on stoppers

