





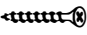
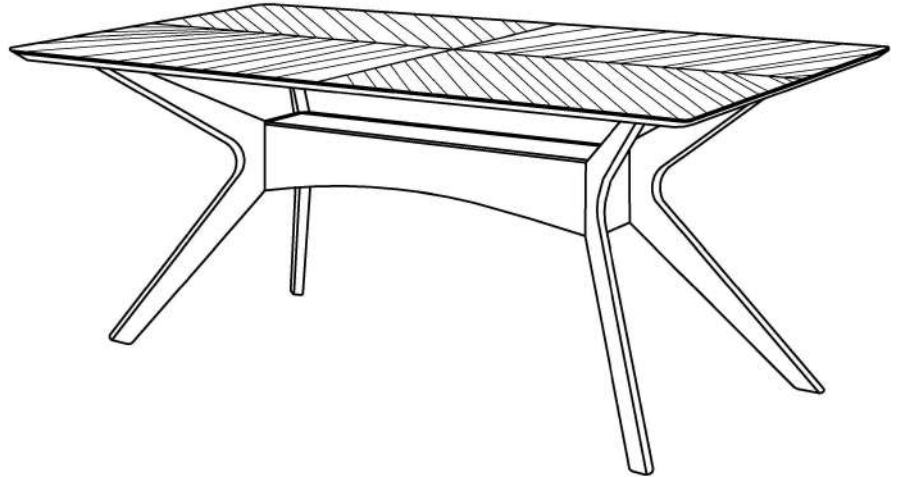


sømcasa

living home

HARDWARE LIST			
A	HEX NUT 5/16"		8PCS
B	SPRING WASHER 5/16"		8PCS
C	FLAT WASHER 5/16"		8PCS
D	SPANNER 12.8		1PC
E	JCBC M6 x 70mm + S/W M6 + F/W M6 x 13mm		4PCS
F	ALLEN KEY M4		1PC
G	FH SCREW #8 x 32mm		4PCS



PART LIST		
1	TABLE TOP	1PC
2	TABLE LEG	4PCS
3	TABLE LEG SUPPORTER	1PC
4	TABLE TOP SUPPORTER	1PC

